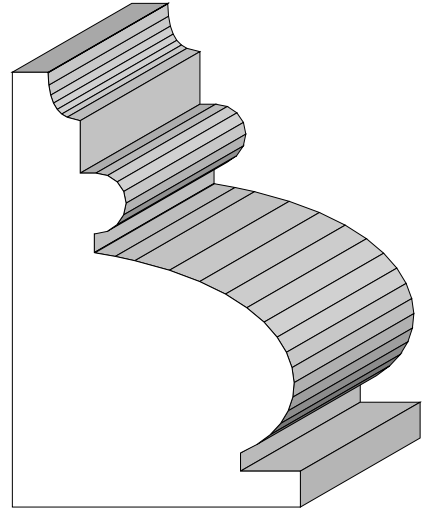
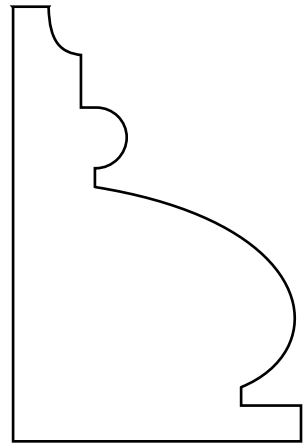


base  
266



BA 266  
1-1/2" x 2-1/4"