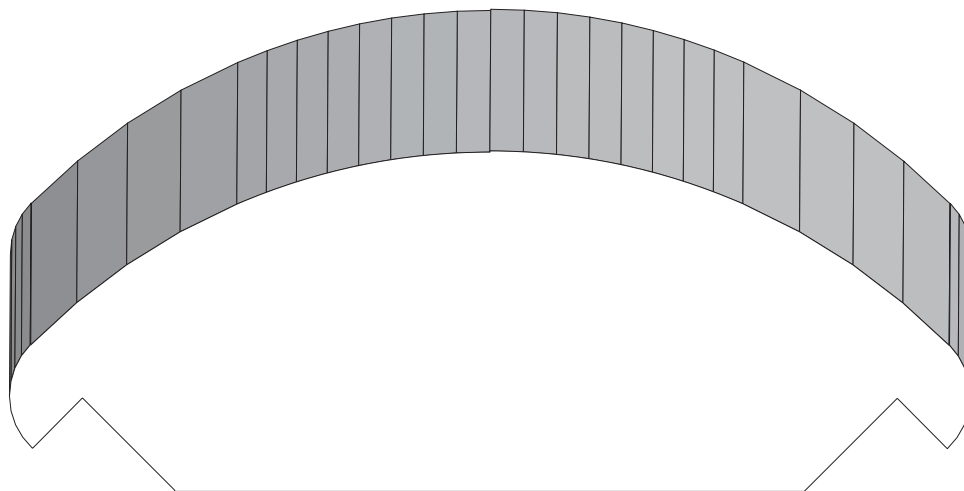
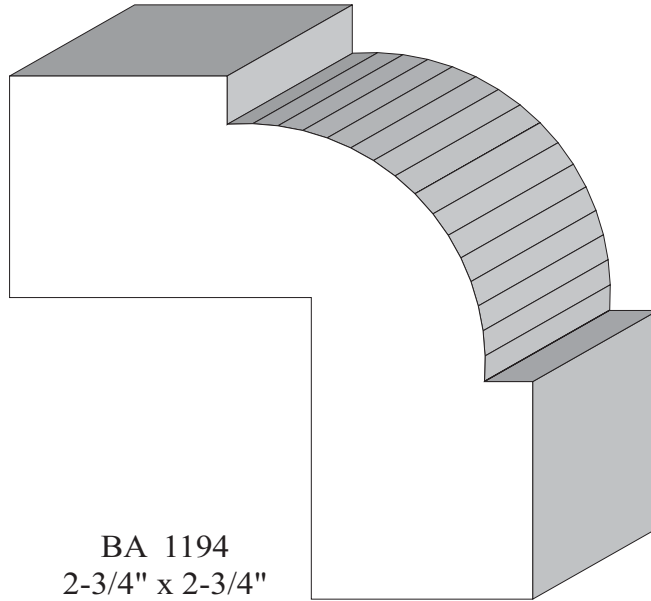




Outside Corners



Profile dimensions can be adjusted, please call for details.

