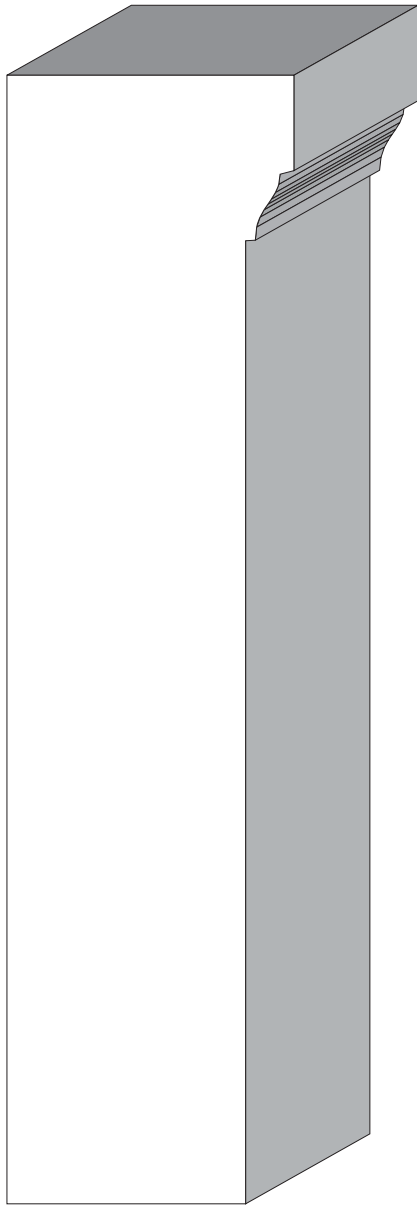
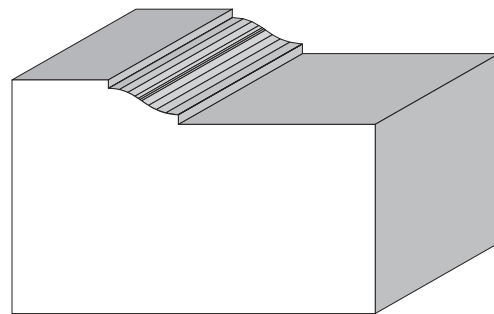




Brick Molds



BA 538
1-1/2" x 5-7/8"

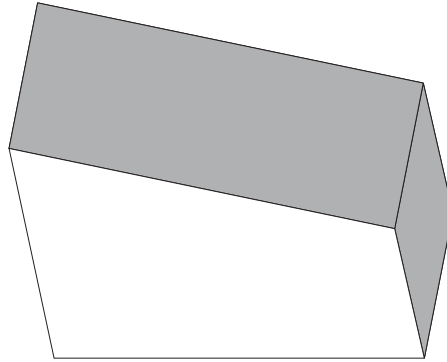


BA 265
1-1/4" x 2-7/8"

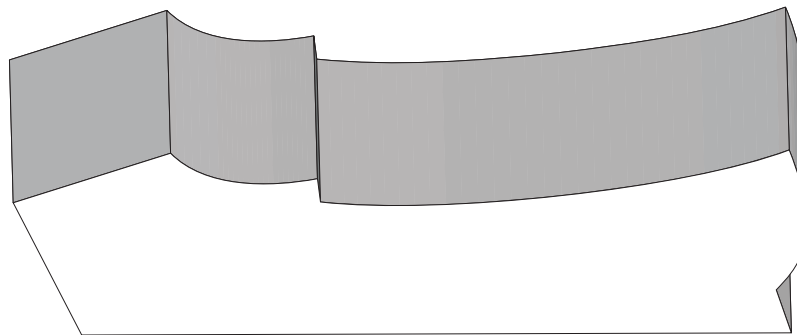
Profile dimensions can be adjusted, please call for details.



Brick Molds



BA 1358
1-1/16" x 2-3/16"



BA 1356
1" x 4-1/8"

Profile dimensions can be adjusted, please call for details.